

Holmatro Next-Gen Pentheon Spreader PSP40

Unrivaled Performance | Superior Usability



Product Overview

Cordless Spreader, part of the Holmatro Pentheon Series. Designed to offer you unrivaled performance, superior usability, advanced connectivity and exceptional serviceability.

Key Features

- Unparalleled speed for faster rescue operations
- Ultimate speed control for more controlled tool handling
- Guaranteed maximum power during a tool's entire lifespan
- Battery management made easy
- Superb ergonomics for effortless handling
- Continue your mission under all conditions
- Realtime tool insights to adapt and change tactics
- Automatically keep your tools in perfect condition
- Effortless tool maintenance
- Phenomenal grip over the full spreading range

Unrivaled Performance

When you explore the power of Pentheon, you will have the fastest and most advanced rescue tools in the world. Whether you need speed, precision or durability, Pentheon always delivers an extraordinary level of performance. Enabling you in making every rescue operation successful.

Superior Usability

Combining flawless performance with first-class handling has always been one of Pentheon's main goals. The tools must be an extension of you, the first responder. Holmatro's next-gen Series forms no exception to this mission. No matter the challenge, Pentheon's ergonomic design gives you the upper hand in taking it on effortlessly.

Advanced Connectivity

Holmatro leads the way in implementing technological innovations. With the undeniable importance of smart products and connectedness in mind, the next-gen Pentheon Series is packed with connectivity features such as Bluetooth® and a dedicated app.

Exceptional Serviceability

An unmatched uptime is one of the key elements in experiencing unrestrained performance for every mission. To ensure that you can keep on going, we offer the highest level of serviceability on the market. And if you or your asset manager can't perform a tune-up, our technicians most certainly can.



www.frsa.com.au | admin@frsa.com.au | + 61 7 3209 7422

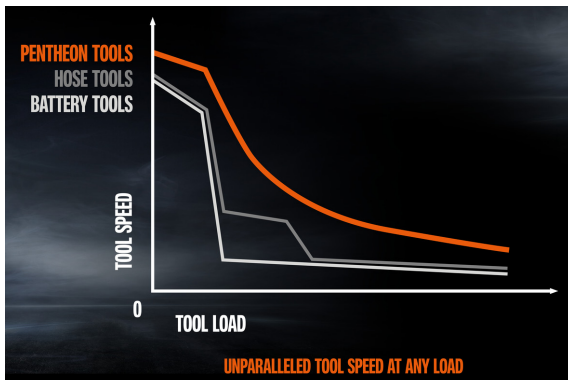
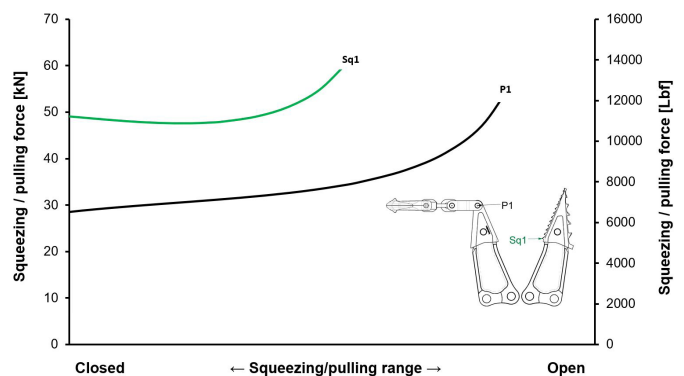
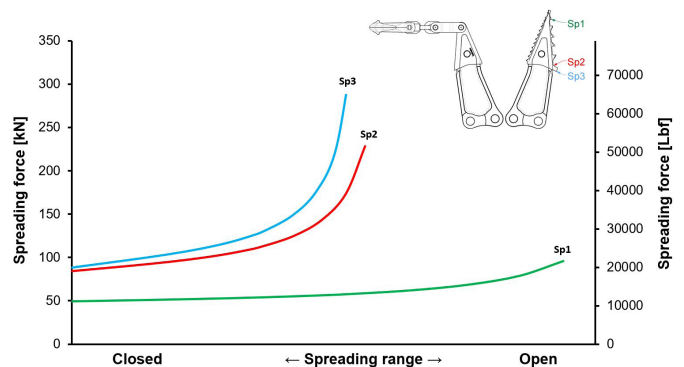
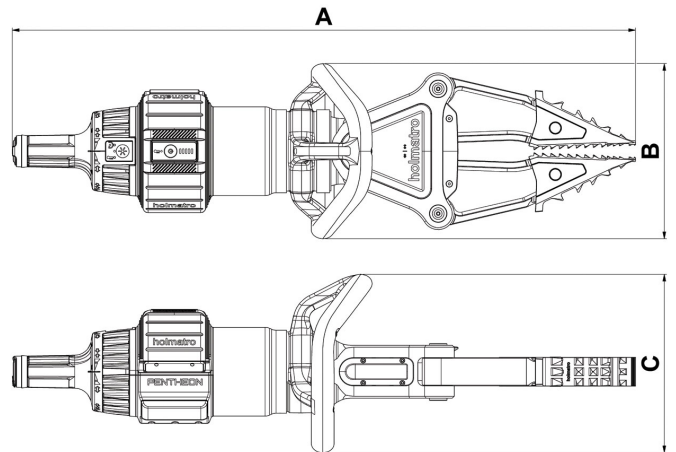
Holmatro Next-Gen Pentheon Spreader PSP40

Unrivalled Performance | Superior Usability



Specifications		
Article number		151.002.432
Model		PSP40
Short description		Spreader
Max. working pressure	bar/Mpa	720 / 72
Battery included		No
Connectivity, mobile app		Bluetooth
Spreading distance	mm	725
Max. pulling force	kN/t	51.7 / 5.3
Pulling distance	mm	613
Max. spreading force	kN/t	280 / 28.6
Theoretical calculated spreading force	kN/t	875 / 89.2
Min. spreading force (EN 13204)	kN/t	43 / 4.4
Max. spreading force, 25mm/1in from the tip	kN/t	93 / 9.5
Max. squeezing force	kN/t	59 / 6
Min. squeezing force (EN 13204 2025 Ed.)	kN/t	24 / 2.4
Protection rate		IP57
Sound emission @ 1m/3.25ft	dB(A)	74
Sound emission @ 4m/13ft	dB(A)	65
Hydraulic oil type		ISO-L HV VG 36
Weight (excl. battery)	kg	17.9
Temperature range	°C	-20 +55
Dimensions (AxBxC)	mm	956 x 270 x 276
Weight, ready for use (incl. battery)	kg	19.5
EN 13204 classification		AS43/725-19.5
EN 13204 compliant		Yes
EN 13204 2025 Ed classification		F-SP3-43/725
NFPA 1960, HPF	kN/t	51.7 / 5.3
NFPA 1960, HSF	kN/t	69.2 / 7.1
NFPA 1960, LPF	kN/t	27 / 2.8
NFPA 1960, LSF	kN/t	39.1 / 4
NFPA 1960 compliant		Yes

Safety Factors / Tests	
Hydraulic safety factor	2:1
Endurance test tool	1000 cycles of opening and closing while arms are loaded
Endurance test dead man's handle	6000 cycles



www.frsa.com.au | admin@frsa.com.au | + 61 7 3209 7422