

Holmatro Next-Gen Pentheon Cutter PCU30CL

Unrivaled Performance | Superior Usability



Product Overview

Cordless Inclined Cutter, part of the Holmatro Pentheon Series. Designed to offer you unrivaled performance, superior usability, advanced connectivity and exceptional serviceability.

Key Features

- Unparalleled speed for faster rescue operations
- Ultimate speed control for more controlled tool handling
- Guaranteed maximum power during a tool's entire lifespan
- Battery management made easy
- Superb ergonomics for effortless handling
- Continue your mission under all conditions
- Realtime tool insights to adapt and change tactics
- Automatically keep your tools in perfect condition
- Effortless tool maintenance
- Maximised working space makes every operation safer
- Superior cutting performance on new and future cars

Unrivaled Performance

When you explore the power of Pentheon, you will have the fastest and most advanced rescue tools in the world. Whether you need speed, precision or durability, Pentheon always delivers an extraordinary level of performance. Enabling you in making every rescue operation successful.

Superior Usability

Combining flawless performance with first-class handling has always been one of Pentheon's main goals. The tools must be an extension of you, the first responder. Holmatro's next-gen Series forms no exception to this mission. No matter the challenge, Pentheon's ergonomic design gives you the upper hand in taking it on effortlessly.

Advanced Connectivity

Holmatro leads the way in implementing technological innovations. With the undeniable importance of smart products and connectedness in mind, the next-gen Pentheon Series is packed with connectivity features such as Bluetooth® and a dedicated app.

Exceptional Serviceability

An unmatched uptime is one of the key elements in experiencing unrestrained performance for every mission. To ensure that you can keep on going, we offer the highest level of serviceability on the market. And if you or your asset manager can't perform a tune-up, our technicians most certainly can.



www.frsa.com.au | admin@frsa.com.au | + 61 7 3209 7422

Holmatro Next-Gen Pentheon Cutter PCU30CL

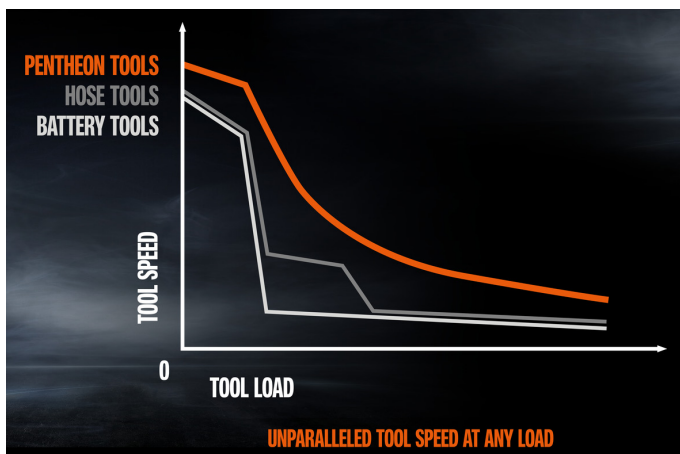
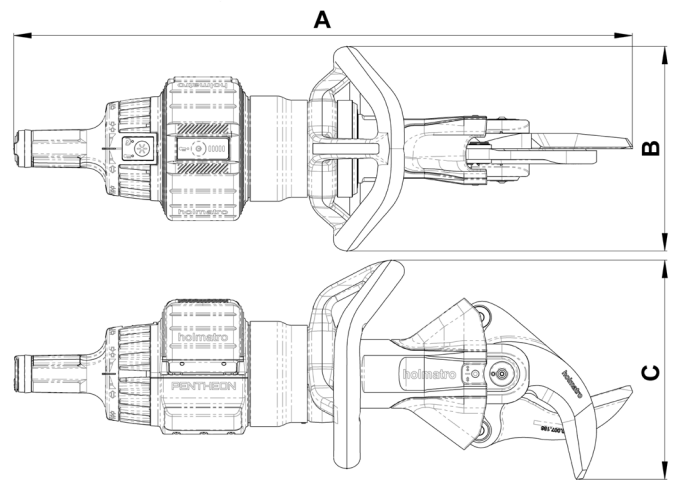
Unrivaled Performance | Superior Usability



Specifications		
Article number		151.002.423
Model		PCU30CL
Short description		Cutter
Max. working pressure	bar/Mpa	720 / 72
Battery included		No
Connectivity, mobile app		Bluetooth
Max. cutting opening	mm	170
Theoretical cutting force	kN/t	549 / 56
Protection rate		IP57
Sound emission @ 1m/3.25ft	dB(A)	74
Sound emission @ 4m/13ft	dB(A)	65
Hydraulic oil type		ISO-L HV VG 36
NCT		Yes
Cutter jaw		Inclined
Weight, ready for use (incl. battery)	kg	15.4
Weight (excl. battery)	kg	13.7
Temperature range	°C	-20 +55
Dimensions (AxBxC)	mm	811 x 270 x 288
EN 13204 compliant		Yes
EN 13204 classification		BC150F-15.3
EN 13204, cutting capacity		1H 2G 3G 4F 5G
NFPA 1960 compliant		Yes
NFPA 1960, cutting capacity		A6 B5 C6 D6 E6 F2
EN 13204 2025 Ed classification		F-CU2-150-F
Round bar (S235 acc. to EN 13204)	mm	31

Safety Factors / Tests	
Hydraulic safety factor	2:1
Endurance test tool	1000 cycles of biting in material that cannot be cut
Endurance test dead man's handle	6000 cycles

Required Accessories	
Battery Charger PBCH1 (AC-EU)	151.000.629
Battery Charger PBCH4 (AC-JP)	151.000.630
Battery Charger PBCH5 (AC-UK)	151.000.631
Battery Charger PBCH3 (DC)	151.000.632
Battery Charger PBCH2 (AC-US)	151.000.742
Battery Charger PBCH6 (AC-KR)	151.001.209
Battery Charger PBCH7 (AC-CN)	151.001.518
Battery Charger PBCH8 (AC-IN)	151.001.519
Battery PBPA288	151.004.490
Battery PBPA288 (CN)	151.004.491



www.frsa.com.au | admin@frsa.com.au | + 61 7 3209 7422